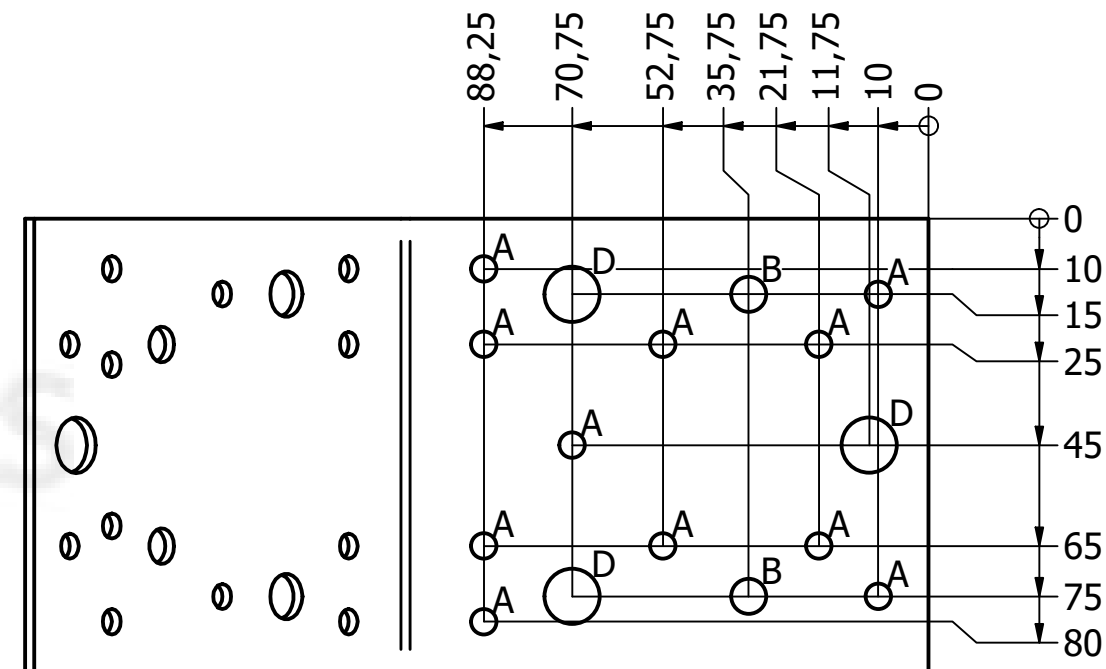
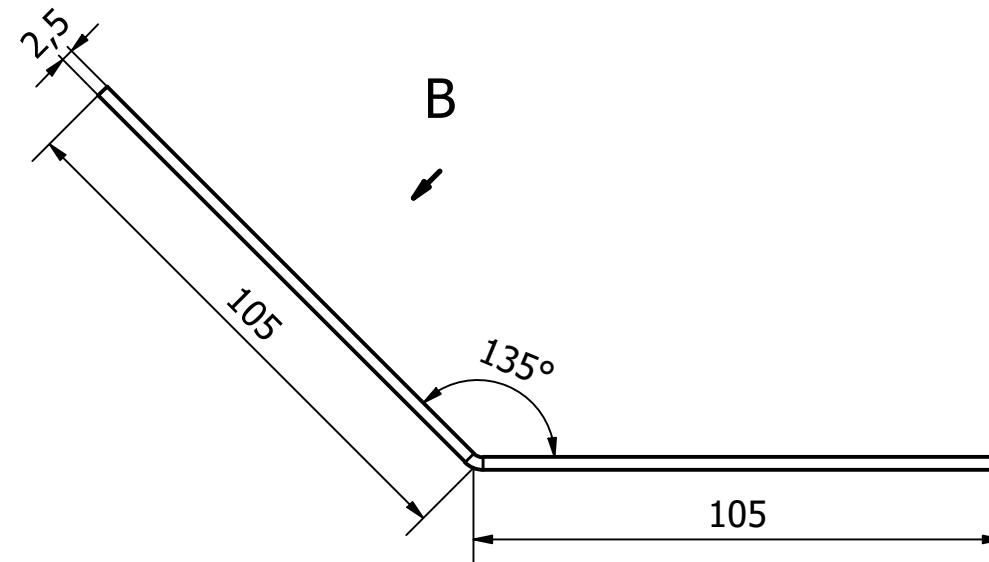


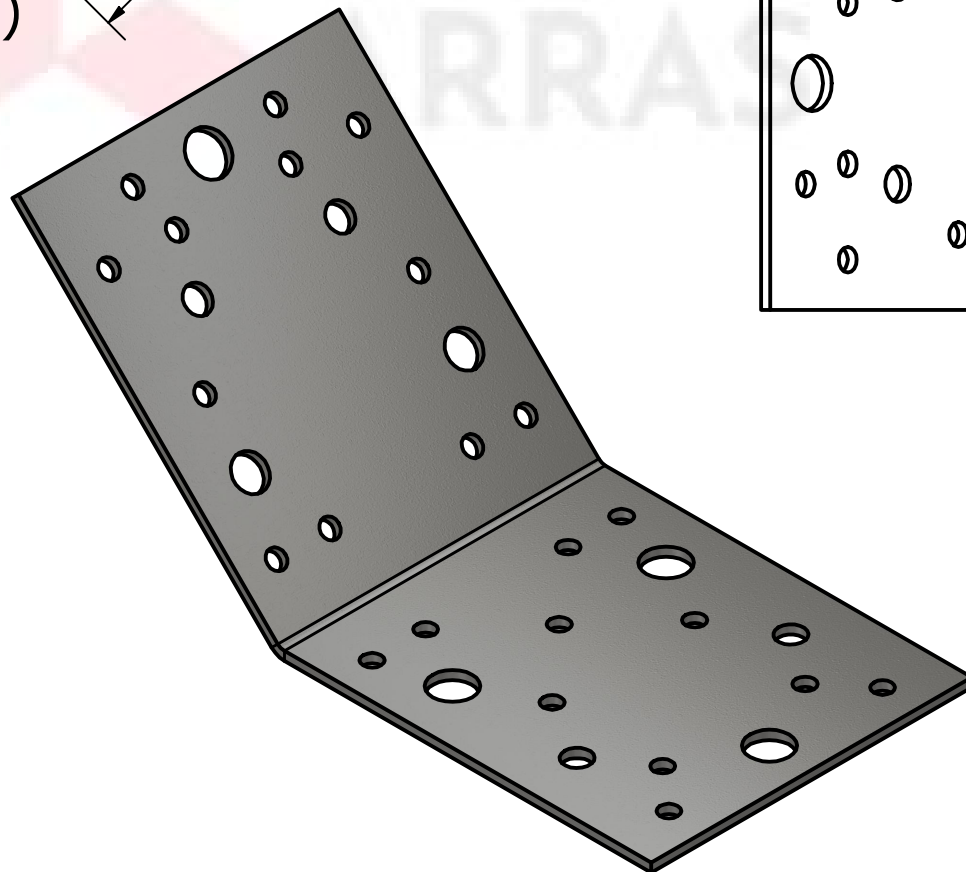
B (1 : 1,5)





HOLE	SIZE	QTY
A	Ø5 THRU	23
B	Ø7 THRU	4
C	Ø9 THRU	2
D	Ø11 THRU	4

General tolerances for nominal dimensions:

Arm lengths ±2 mm
 Product pitch ±1 mm
 Width ±1 mm
 Holes ±0.4 mm



Drawn by: Vilmech	Description:	
Checked by: I.M.	Angle bracket 105x105x90x2,5	
Approved by: U.K.	135°	
Date: 14.04.2026	ART: 73106	
	Size: A3	Material: HDG DX51D + Z275/ HDG S250GD + Z275
	Projection: 	Weight: 0.341
M1 : 1,5	Version: A	