
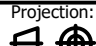


HOLE	SIZE	QTY
A	Ø4,2 THRU √ Ø7,8	4

**General tolerances for nominal dimensions:**

- Arm lengths ±2 mm
- Product pitch ±1 mm
- Width ±1 mm
- Holes ±0.4 mm

Drawn by: Vilmech	Description: Angle bracket 30x30x25x2,0 (with phased holes)	
Checked by: I.M.	ART: <b>72504</b>	
Approved by: U.K.		
Date: 12.04.2026	Size: A3	
	Material: HDG DX51D + Z275/ HDG S250GD + Z275	Version: A
	Projection: 	Weight: 0,022
	M 2: 1	