
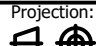


(1 : 1)

HOLE	SIZE	QTY
A	Ø5 THRU	10

General tolerances for nominal dimensions:

Arm lengths ± 2 mm
 Product pitch ± 1 mm
 Width ± 1 mm
 Holes ± 0.4 mm

Drawn by: Vilmech	Description:	
Checked by: U.K.	Nail plate 100x40x2,0	
Approved by: I.M.	ART:	
Date: 03.07.2025	71704	
	Size: A3	Material: HDG DX51D + Z275/
	Projection: 	HDG S250GD + Z275
	M 2: 1	Weight: 0.060 kg