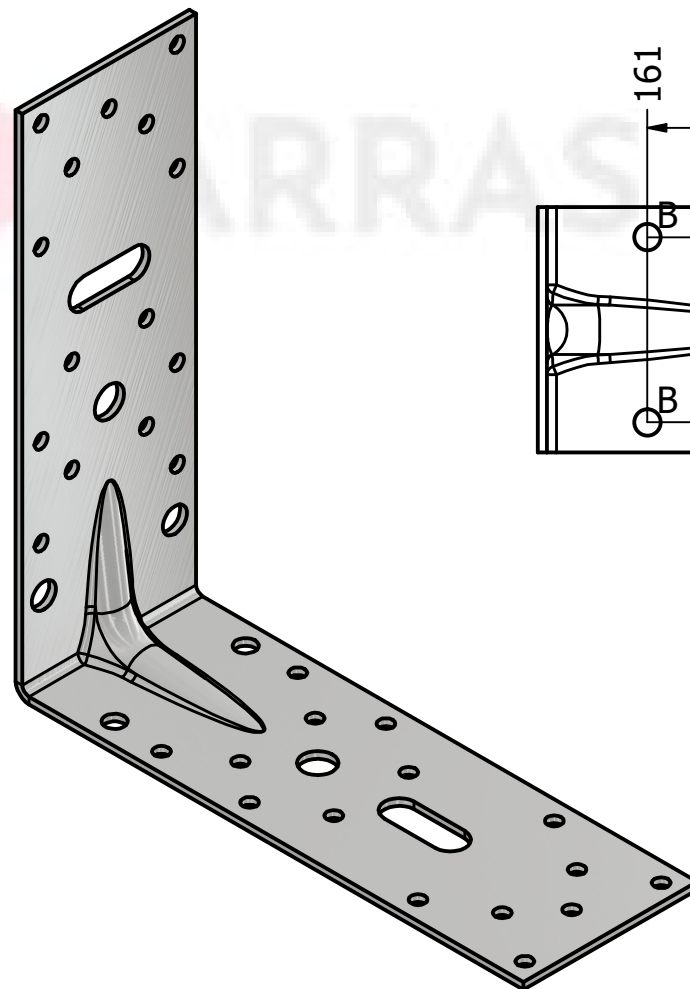




HOLE	SIZE	QTY
A	Ø5 THRU	30
B	Ø7 THRU	2
C	Ø9 THRU	2
D	Ø11 THRU	2
E	SLOT 11x30	2

General tolerances for nominal dimensions:

Arm lengths ± 2 mm
 Product pitch ± 1 mm
 Width ± 1 mm
 Holes ± 0.4 mm



Drawn by: Vilmech	Description:	
Checked by: I.M.	Facade bracket 190x190x65x2,5	
Approved by: U.K.	ART: 71556	
Date: 11.05.2026	Size: A3	Material: HDG DX51D + Z275/ HDG S250GD + Z275
	Projection: 	Weight: 0.442 kg
	M 1 : 2	Version: A