
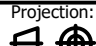


| HOLE | SIZE | QTY |
|------|---------|-----|
| A | Ø5 THRU | 18 |

General tolerances for nominal dimensions:

- Arm lengths ± 2 mm
- Product pitch ± 1 mm
- Width ± 1 mm
- Holes ± 0.4 mm

| | | |
|---|---|--|
| Drawn by: Vilmech | Description: | |
| Checked by: I.M. | Angle bracket 60x60x60x2,5 | |
| Approved by: U.K. | ART: 71439 | |
| Date: 27.04.2026 | Size: A3 | Material: HDG DX51D + Z275/ HDG S250GD + Z275 |
|  | Projection:  | Weight: 0,13 |
| | M1,2 : 1 | Version: A |