
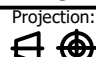


HOLE	SIZE	QTY
A	Ø5 THRU	15

General tolerances for nominal dimensions:

- Arm lengths ± 2 mm
- Product pitch ± 1 mm
- Width ± 1 mm
- Holes ± 0.4 mm

Drawn by: Vilmech	Description:	
Checked by: I.M.	Angle bracket 60x60x50x2,0	
Approved by: U.K.	ART: 71408	
Date: 12.04.2026	Size: A3	Material: HDG DX51D + Z275/ HDG S250GD + Z275
	Projection: 	Weight: 0,087
	M1.2 : 1	Version: A